



Instruction Manual

MANSQDN100 REV D 19/7/14

Diesel Transfer units

100L

200L

400L

600L



SILVAN AUSTRALIA PTY. LTD.

ABN 48 099 851 144

VICTORIA (HEAD OFFICE)

244- 264 Greens Rd,
Dandenong South, 3175 Australia
Telephone: +61 (03) 9215 2700
Facsimile: +61 (03) 9215 2701
www.silvan.com.au

NEW ZEALAND

22 Sunshine Avenue
Te Rapa, Hamilton, 2001 New Zealand
Telephone: +64 (07) 8496033
Fax: +64 (07) 8496070
www.silvannz.co.nz

New Product Warranty

Silvan Warranty

Our goods come with guarantees that cannot be excluded under the Australian Consumer Law. You are entitled to a replacement or refund for a major failure and for compensation for any other reasonably foreseeable loss or damage. You are also entitled to have the goods repaired or replaced if the goods fail to be of acceptable quality and the failure does not amount to a major failure.

We warrant our goods to be free from defects in materials and workmanship for the warranty period of 12 months from the date the product is delivered to the consumer.

Silvan warrants its authorised Dealer, who in turn warrants the original purchaser (consumer) of each new Silvan product that it will repair or replace the product, or, pay the cost of repair or replacement, as determined by Silvan without charge for labour or any defective or malfunctioning parts in accordance with the warranty limitations below.

This Warranty is in addition to any other rights and remedies available to consumers under the law

This Warranty Covers

Only conditions resulting directly from defects in workmanship or material under normal use and service.

Warranty Exclusions

The Warranty does not cover:

- Conditions resulting from misuse, use of incompatible chemicals, exceeding machine specifications including overloading, impact damage, negligence, accidental damage or failure to perform recommended maintenance services as specified in the Owner/Operator Manual applicable to the product.
- Damage caused by continued use of a product after initial failure
- Any product which has been repaired by other than an authorised Silvan service outlet in a way which, in the sole and absolute judgment of Silvan, adversely affect its performance or reliability.
- The replacement of maintenance items such as diaphragms, batteries, V belts and ground engaging components, etc.

How to claim Warranty

Return the goods to the place of purchase at your cost and within the warranty period along with evidence of the purchase date. If the original supplier cannot be contacted then contact Silvan as below and we can direct you on how to proceed with your warranty claim.

How your claim will be managed

The repair of a defective product qualifying under this warranty will be performed by any authorised Silvan service outlet within a reasonable time following the delivery of the product, at the cost of the owner, to the service outlet's place of business. The product will be repaired or replaced depending on the extent of the problem at the discretion of Silvan and the Silvan dealer.

Silvan Australia Pty Ltd
264 -266 Greens Rd
Dandenong Sth, 3175
Australia

Ph +61 3 9215 2700

www.silvanaust.com

Safety Instructions



Before attempting to operate or install the diesel unit carefully read and take note of the following safety warnings.

Failure to comply with these warnings may result in serious injury or death.

- Warning !** This Diesel unit is designed and manufactured solely for the purpose of carrying and pumping Diesel fuel. Under no circumstances may it be used for any other purposes.
- Warning !** Prior to installing or using the Diesel unit all operators must have read and fully understand the contents of this instruction manual as well as all other manuals supplied and the safety decal fitted to the Diesel unit.
- Warning !** Never allow an inadequately trained person to install or operate the Diesel unit.
- Warning !** Ensure the capacity of the vehicle is suitable for the loaded mass of the diesel unit. Refer to the vehicle operator's manual for safe working loads, correct secure points and relevant safety instructions.
- Warning !** Avoid diesel contact with skin and eyes, and avoid breathing vapours or mists. Refer to the Material Data Safety sheet from your Diesel supplier for recommended safety precautions and any required protective equipment for use when handling. Ensure that all operators and associated personnel are familiar with the legal regulations and codes of practice that apply to the safe use, storage and disposal of Diesel.
- Warning !** This diesel unit should be securely restrained or tied down when being transported on a vehicle
- Warning !** This Diesel unit should not be lifted when partially or completely full unless supported by an appropriate frame or pallet.
- Warning !** This unit should never be left unattended while dispensing or being filled.
- Warning !** Before attempting to fill the tank at a service station consult the operator for the correct procedure.
- Warning !** Do not store the diesel unit within or next to a dwelling or garage attached to a dwelling.
- Warning !** Always store the diesel unit in well ventilated open areas.
- Warning !** Storage of the diesel unit must not be in the proximity of any heating or ignition sources.
- Warning !** No combustible waste material or residues shall be permitted to remain in or around areas in which diesel is stored or decanted
- Warning !** Any spillage shall be cleaned up immediately and the materials used in the clean-up shall be disposed of safely and in accordance with any legal regulations and codes of practice that apply to the safe use, storage and disposal of Diesel.
- Warning !** Ensure that the electrical lead(s) are always in good condition and the wire is not exposed through the plastic coating. Do not allow the lead to become tightly knotted, crushed or pinched.

Safety Instructions (cont.)

The location and wording of the safety decal fitted to your Silvan Diesel tank is shown below. It is important that all operators read and follow the information on all safety decals before operating the unit. Failure to comply with these warnings could result in serious injury or death. Safety decals should be kept clean and legible at all times. If any decals are missing or unreadable, they should be replaced by ordering new decals from your Silvan dealer using the part numbers shown.

Warning decal part number: DEC90.



! WARNING

READ THE OPERATOR'S INSTRUCTION MANUAL BEFORE ATTACHING OR USING THIS PRODUCT.

REFER TO YOUR VEHICLE'S OPERATION MANUAL FOR THE MAXIMUM LOAD LIMITS AND OPERATING PROCEDURES.

DO NOT EXCEED SPECIFIED SAFE LOAD CARRY AND TOWING CAPACITIES.

STABILITY OF THE VEHICLE CAN BE AFFECTED BY THE ATTACHMENTS WEIGHT AND WEIGHT MOVEMENT. REDUCE THE SPEED OF THE VEHICLE WHEN CARRYING AN ATTACHMENT AND ALLOW GREATER DISTANCE FOR BRAKING.

FAILURE TO DO ANY OF THE ABOVE MAY RESULT IN SERIOUS INJURY OR DEATH.

DEC 90

DANGER

ONLY FOR USE WITH DIESEL FUEL
DO NOT USE FOR/WITH

- PETROL (GASOLINE)
- SOLVENTS WITH FLASH POINT > 55°C

Specifications

GENERAL

All transfer units come standard with an Auto shut-off gun and all pumps feature a duty cycle for 30 minutes of continuous dispensing, all pumps also contain an internal bypass that allows for the pump to operate for up to a maximum of three minutes when the filling nozzle shuts off without damaging the pump or motor.

SPECIFICATIONS

TANKS- Made from impact resistant polyethylene, UV stabilized, coloured grey and fitted with lid and breather with a 100L, 200L, 400L or 600L capacity in a Low-Profile free-standing design (which allows for minimal interruption to visibility when mounted to the tray of a Utility).

GUN- Trigger filling nozzle with automatic shut-off and hose swivel.

FILTRATION - Suction foot screen filter.

PUMPS AND DELIVERY HOSE- All Selecta Diesel transfer units are fitted with an electric self priming vane pump with a 4 meter power lead and alligator clips, details are provided below.

PUMP

Power Output 280 Watt
 Input 12V DC
 Output 40L/min (open flow)
 Power cord 4m long with alligator clips
 Current 22 amps max
 RPM 2600
 Duty Cycle 30mins
 Internal Fuse 25Amp

IMPORTANT OPERATIONAL NOTE- The internal Bypass fitted in all diesel pump models is designed to protect the pump and motor from damage when the trigger is shut off for a time no greater the 2-3 minutes.

This is enough time for the operator to switch off the pump or recommence pumping.

When the nozzle is off and the pump is running the pump pressure increases and the electric motor load increased using more power (amps) which in turn generates more heat within both the pump and motor, risking increased wear or possible if the pump is not switched off.

DIMENSIONS AND WEIGHTS

Mass is specified with tank empty. To roughly calculate gross mass, add 1 kg/liter capacity. (eg 200L =200Kg). All dimensions are in mm, Mass in Kg, The mass of each tank may vary according to the type of pump fitted and other accessories.

Tank Capacity	Length	Width	Height	Mass
100L	800	620	440	18
200L	1100	640	550	24
400L	1700	820	590	48
600L	1664	840	810	55

Operation and Installation

PREPARING THE TRANSFER UNIT FOR OPERATION

For transport purposes some transfer units will be supplied with the Delivery hose and Automatic Shut-off gun disconnected from the pump. Before attempting to pump any Diesel ensure that the delivery hose is securely fitted to the pumps outlet, and that the Automatic Shut-off gun (with swivel) is fitted to the other end of the delivery hose.

CONNECTING TO A POWER SUPPLY

All of the diesel transfer units fitted with DC electric motors are supplied with alligator clips that can be connected directly to a 12 volt DC battery. Connect the Red alligator clip to the positive terminal and the black alligator clip to the negative terminal. If the pump runs backwards, simply swap the clips on the battery. If you intend to extend the cable or add a plug make sure it is of sufficient capacity 25Amps

FILLING THE DIESEL UNIT

Ensure that the tank is supported on an even base capable of taking the weight. No Special equipment is required for filling the tank, however when the lid has been removed from the tank take care not to introduce contaminants into the tank via the filler neck and ensure that the lid is kept free of contaminating particles while filling.

TRANSFERRING DIESEL

The pump will need to prime itself upon first use. Turn the pump on and depress the trigger to allow air to bleed from the hoses, after a short time the pump will have primed and delivery will commence. We recommend for this first priming that the lid is removed from the tank and the nozzle is directed back into the tank while pumping to avoid spillage or loss of Diesel, with this done the unit is now ready to operate.

To dispense the pump must be turned on and the nozzles trigger depressed, the nozzle features an automatic shut-off which operates when fluid contacts the outer nozzle. Once the auto shut-off operates turn off the pump within 2 or 3 minutes so as not to allow the motor to run for longer than its specified duty cycle.

Maintenance

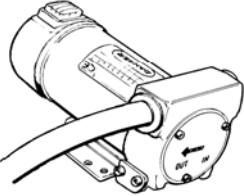
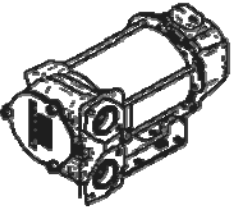

The pumps have been designed and built to require minimal maintenance however it is still important that you **Always remove the pump from the power source before any inspection.**

The Vanes in the head of the pump will wear over time and require replacement. To extend the life of the Vanes, ensure that the filters are kept clean and the tank free of contaminants. If a reduced flow rate is noticeable, or a screeching sound is heard from the pump, dirt or debris may have entered the pumps and requires immediate cleaning before parts are permanently damaged. Periodically check the suction foot filter to ensure that is clean and free of debris. In particular this should be done if there is a noticeable decrease in diesel flow rate. There is also a coarse screen mesh at the inlet of the red "Selecta" Auto shut-off gun and can be checked by removing the gun from the swivel.

Trouble Shooting Guide

TROUBLE SHOOTING GUIDE	
Symptom	Remedy
Pump does not operate	<ul style="list-style-type: none"> • Ensure battery wires are connected to battery properly. Red Clip to +ve • Check Fuse (25A) under plastic pump switch cover is intact.
To Test & Repair if Pump does not operate	<ul style="list-style-type: none"> • Remove pump end cover, connect power to White & Black wires to test • If motor still does not operate, remove 3 x head cover bolts & check for rust or obstruction, do not over tighten the screws when replacing the cover as this will jam the rotor against the cover and also prevent the electric motor from turning and blow the fuse.
Pump Wiring Overheating	<ul style="list-style-type: none"> • This can happen when pump is operated in bypass mode for longer than 3 minutes or if low voltage/amps. Ensure that pump is not left running for longer than 3 minutes without depressing Transfer Gun trigger. • The wiring loom has been extended using wire of insufficient gauge. 25A wire is required and a matching connectors
Pump makes a squealing/scratching sound while running.	<ul style="list-style-type: none"> • This can be caused by dirt or debris entering the pump and becoming caught in the working parts. Remove the end cover of the pump by first unscrewing the three Socket Head screws and lifting off the cover. Clean the impeller vanes ensuring you remove any dirt particles caught between the ends of the vanes and the impeller housing. <u>Do not over-tighten head screws when reassembling.</u>
Pump stalls when Transfer Gun trigger is released and pump is running.	<ul style="list-style-type: none"> • The non-return valve in the outlet of the pump may be jammed shut. Remove the outlet hose from the pump. Operate the white plastic valve in the outlet port of the pump manually (by pushing it in and out), to ensure it moves freely.
To Test & Repair if the Pump is running but low or nil flow from nozzle	<ul style="list-style-type: none"> • Remove gun from hose & re-test, Run the hose into the tank filling neck while checking. • If flow improves, check hole in the end of the nozzle for blockage • Replace gun as required
Pump runs but does not pump	<ul style="list-style-type: none"> • Check red alligator clip fitted to positive terminal, black to negative. If it is the wrong way around the pump runs backwards. • Check suction hose and foot filter are immersed in diesel. The suction hose may be bent up out of the diesel. • If pump is brand new or has not been used in a long period of time unscrew automatic gun from hose and put hose in filler neck to prime pump

Pump Specifications

Pump Model Type	Pump Name	Volts (DC)	Amps	Open Flow	Motor Duty cycle	Internal bypass	Delivery hose
	DIESEL POWER 2000	12	22	40L/min	30 minutes	Yes	4 meters (20mm I.D.)
	PUI SI BP3000	12	22	45L/min	30 minutes	Yes	5 meters (20mm I.D.)
	PUI SI BP3000 INLINE	12	22	45L/min	30 minutes	Yes	5 meters (20mm I.D.)